

INTERNATIONAL
STANDARD

ISO
10375

First edition
1997-04-15

**Non-destructive testing — Ultrasonic
inspection — Characterization of search
unit and sound field**

*Essais non destructifs — Contrôle par ultrasons — Caractérisation des
traducteurs et des champs acoustiques*

This material is reproduced from ISO documents under International Organization for Standardization (ISO) Copyright License number IHS/ICC/1996. Not for resale. No part of these ISO documents may be reproduced in any form, electronic retrieval system or otherwise, except as allowed in the copyright law of the country of use, or with the prior written consent of ISO (Case postale 56, 1211 Geneva 20, Switzerland, Fax +41 22 734 10 79), IHS or the ISO Licensor's members.



Reference number
ISO 10375:1997(E)

ISO 10375:1997(E)

Contents	Page
1 Scope	1
2 Normative reference	1
3 Symbols	2
4 Techniques and procedures	2
4.1 Test set-up	3
4.2 Time domain response	6
4.3 Frequency response	6
4.4 Free-field parameters	9
4.5 Echo sound measurement	14
4.6 Impedance	15
4.7 Relative sensitivity	15

© ISO 1997

All rights reserved. Unless otherwise specified, no part of this publication may be reproduced or utilized in any form or by any means, electronic or mechanical, including photocopying and microfilm, without permission in writing from the publisher.

International Organization for Standardization
 Case postale 56 • CH-1211 Genève 20 • Switzerland
 Internet central@iso.ch
 X.400 c=ch; a=400net; p=iso; o=isocs; s=central

Printed in Switzerland

Foreword

ISO (the International Organization for Standardization) is a worldwide federation of national standards bodies (ISO member bodies). The work of preparing International Standards is normally carried out through ISO technical committees. Each member body interested in a subject for which a technical committee has been established has the right to be represented on that committee. International organizations, governmental and non-governmental, in liaison with ISO, also take part in the work. ISO collaborates closely with the International Electrotechnical Commission (IEC) on all matters of electrotechnical standardization.

Draft International Standards adopted by the technical committees are circulated to the member bodies for voting. Publication as an International Standard requires approval by at least 75 % of the member bodies casting a vote.

International Standard ISO 10375 was prepared by Technical Committee ISO/TC 135, *Non-destructive testing*, Subcommittee SC 3, *Acoustical methods*.

Introduction

In ultrasonic non-destructive testing, sound pulses are used for detecting and evaluating imperfections or flaws in a material. To obtain reproducible flaw information, the generation, production and reception of the ultrasonic pulses must be properly specified, controlled and characterized. To ensure the accuracy and repeatability of the ultrasonic examination, a knowledge of the characteristics of the search unit or probe (also known as the transducer), as well as the associated sound field and the testing procedures used, is required.

For a complete description or proper selection of an ultrasonic search unit or probe, a commonly accepted set of characteristics of the search unit must be specified. This standard establishes techniques to be used in the laboratory for characterizing ultrasonic search units with parameters such as centre frequency, bandwidth, near-field length, half-angle of beam spread, depth of field, beam diameter and focal length. This standard specifies means for measuring the characteristics of both immersion and contact search units used for the inspection of materials. This standard also provides guides for obtaining parameters measured in the free field and by pulse-echo measurement. Examples of calculations of these parameters are given.

This standard provides techniques and procedures to achieve the following objectives:

- a) to select and specify search unit or probe characteristics;
- b) to check and ensure consistency of search unit performance over its life span;
- c) to facilitate selection of identical search units or equivalent alternatives;
- d) to provide a base for the comparison of results obtained using different instruments, equipment settings, operators, operating times and periods.

Non-destructive testing — Ultrasonic inspection — Characterization of search unit and sound field

1 Scope

This International Standard establishes procedures for specifying certain ultrasonic search unit characteristics and for measuring the associated sound field. The aim is to establish uniformity of testing techniques, to form a basis for the interpretation of results obtained by different laboratories and at different times. Note that this International Standard establishes no acceptance criteria; however, it does establish the technical basis for criteria that may be defined by user parties.

ISO 2400 describes a calibration block used in weld inspection for checking the performance of the ultrasonic instrument and search unit. To further enhance the general ultrasonic inspection capability, information concerning the search unit's time domain response, frequency response (also referred to as frequency spectrum, frequency analysis, spectrum analysis and signature analysis) and sound field must be known before reliable detection and characterization of flaws can be achieved.

The search units discussed herein are straight-beam and angle-beam search units with a nominal ultrasonic frequency from 0,5 MHz to 15 MHz. Surface wave search units are not included in this standard. This standard provides procedures for specifying sound field parameters as well as methods of measurement in immersion tests. This standard does not address sound field measurement in contact tests.

This International Standard describes measurement procedures for evaluating characteristics of ultrasonic search units and describes techniques used for obtaining sound field data produced by electrically pulse-excited search units used in the field or in the laboratory. The characteristic parameters discussed in this standard are the upper, lower and centre frequencies, the wavelength, the bandwidth, the time domain and frequency domain responses, the near-field length, the half-angle of beam spread for search units of different shapes in free field, echo sound measurements, beam profiles, the impedance and the relative sensitivity. Formats for specifying both flat-face and focused search units are given.

To provide baseline information and to check possible performance degradation, the electrical properties of the search unit are measured independently of the ultrasonic instrument. The electrical impedance and sensitivity are measured at specific frequencies selected for each search unit. The electrical impedance corresponds to the complex input impedance of the search unit and the sensitivity of the search unit is a measure of the electroacoustic efficiency of the unit. These procedures are described in 4.6 and 4.7, respectively.

2 Normative reference

The following standard contains provisions which, through reference in this text, constitute provisions of this International Standard. At the time of publication, the edition indicated was valid. All standards are subject to revision, and parties to agreements based on this International Standard are encouraged to investigate the possibility of applying the most recent edition of the standard indicated below. Members of IEC and ISO maintain registers of currently valid International Standards.

ISO 2400:1972, *Welds in steel — Reference block for the calibration of equipment for ultrasonic examination.*

3 Symbols

B_W	Bandwidth, in percent
C_N	Number of cycles
D	Effective diameter, in millimetres, of the transducer element of the search unit
d_{FL}	Beam diameter, in millimetres, at focal length
F_D	Depth of field (also known as length of focal area), in millimetres
F_L	Focal length (also known as focal distance), in millimetres
f	Frequency, in megahertz, of the search unit
f_l	Lower frequency (–3 dB for free field, –6 dB for echo, from peak amplitude), in megahertz
f_u	Upper frequency (–3 dB for free field, –6 dB for echo, from peak amplitude), in megahertz
f_c	Centre frequency, in megahertz
f_p	Peak frequency, in megahertz
l_1, l_2	Effective dimensions, in millimetres, of a rectangular search unit
N_0	Near-field length, in millimetres
P_N	Number of peaks
S_r	Relative sensitivity, in decibels
T_k	Thickness of the medium, i.e. the distance between the search unit and reflector, in millimetres
T_{PD}	Pulse duration time, in microseconds
v	Wave velocity, in kilometres per second, in the test medium
V_{in}	Peak-to-peak input, or excitation, voltage signal amplitude, in volts
V_{out}	Peak-to-peak output voltage signal amplitude, in volts
x	Longitudinal direction of the search unit
z	Axial distance, in millimetres, normal to the search unit front surface
λ	Wavelength, in millimetres, in the test medium
α	Incident angle, in degrees
β	Refraction angle, in degrees
γ	Skew (or squint) angle, in degrees
Ω	Impedance, in ohms
θ	Half-angle of the beam spread, in degrees

4 Techniques and procedures

Characteristics of an ultrasonic search unit are determined by a combination of its own parameters and the physical properties of the medium to which the search unit is coupled. The ultrasonic search unit is characterized by parameters such as the wavelength, the centre frequency, the time domain response, the frequency and the fractional bandwidth. The wavelength, the frequency of the search unit and the velocity of a wave propagating through a medium have the following relationship:

$$\lambda = \frac{v}{f} \quad \dots (1)$$

where

- v is the wave velocity, in kilometres per second, in the test medium;
- λ is the wavelength, in millimetres, of the search unit;
- f is the frequency, in megahertz, of the search unit.

EXAMPLE 1

a) Consider a straight-beam search unit of 5 MHz, in contact test on steel. The longitudinal wavelength of the pulse in steel is determined as follows:

$$f = 5 \text{ MHz} = 5 \times 10^6 \text{ Hz}$$

The longitudinal-wave velocity in steel is given by:

$$v_{\text{long}} = 5,92 \text{ km/s} = 5,92 \times 10^6 \text{ mm/s}$$

$$\therefore \lambda_{\text{long}} = \frac{5,92 \times 10^6}{5 \times 10^6} = 1,18 \text{ mm} \quad (\text{longitudinal wavelength})$$

b) Consider an angle-beam (transverse-wave) search unit of 5 MHz, in contact test on steel. The transverse wavelength of the pulse in steel is determined as follows:

$$f = 5 \text{ MHz} = 5 \times 10^6 \text{ Hz}$$

The transverse-wave velocity in steel is given by:

$$v_{\text{trans}} = 3,26 \text{ km/s} = 3,26 \times 10^6 \text{ mm/s}$$

$$\therefore \lambda_{\text{trans}} = \frac{3,26 \times 10^6}{5 \times 10^6} = 0,65 \text{ mm} \quad (\text{transverse wavelength})$$

These parameters are measured in a pulse-echo procedure described herein. The echo is gated by a stepless gate to eliminate non-relevant signals. The gated echo acts as input to both an oscilloscope for analysis of its time domain response and to a frequency analyser for analysis of the frequency response. The electrical spike pulse applied to the search unit produces a spectrum of energy broad enough to permit the evaluation of the response of the search unit. The pulse level of the excitation, the types of target used for each test and the distance from the search unit shall be recorded.

4.1 Test set-up

Figure 1 presents a schematic illustration of the test set-up for an electrical spike pulse technique commonly used in ultrasonic pulse-echo testing. The system consists of a pulser, receiver, gate (or ultrasonic echo instrument having an output terminal for a gated echo signal), oscilloscope, frequency analyser and search unit. The oscilloscope and frequency analyser shall have a frequency range of no less than 50 MHz. Coaxial cables of 50 Ω shall be used for the measurement, and the cable input to the oscilloscope and the frequency analyser shall be matched with a 50 Ω terminator. An excitation pulse is applied to the search unit and the echo from a specific target is analysed.

For immersion tests, the search unit shall be oriented to provide maximum signal amplitude from the target surface. Targets commonly used in immersion tests are a small stainless-steel ball or a steel wire, which are used for sound field measurements, or a flat reflector, such as a glass block, which is used for the analyses of the echo waveform. The standard diameter of the sphere is 4 mm and that of the steel wire is 2,5 mm. Upon agreement between user parties, different-sized spheres and targets may also be used. To avoid tank reflections, the distance of the ball or wire target from the bottom of the tank shall be at least 50 mm. Figure 2 shows an immersion test with a stainless-steel ball or the cross-section of a steel wire and a glass block target.

In contact tests, both straight-beam and angle-beam search units are used. For straight-beam contact tests, either single-element in pulse-echo mode or dual-element in pitch-catch (or transmit-receive) mode and a reference block of multiple-thickness steps is used. A suitable couplant, such as mineral oil or glycerin, shall be used, and a uniform pressure maintained between the search unit and the contact surface. The block shall have a thickness greater than the spatial duration of the excitation pulse used. Both the flatness and parallelism of the reference block shall be better than 0,02 mm. The surface finish of the front and back surface of the reference block shall be between 1,6 μm and 3,2 μm . Figure 3 shows a contact test on a step calibration block.

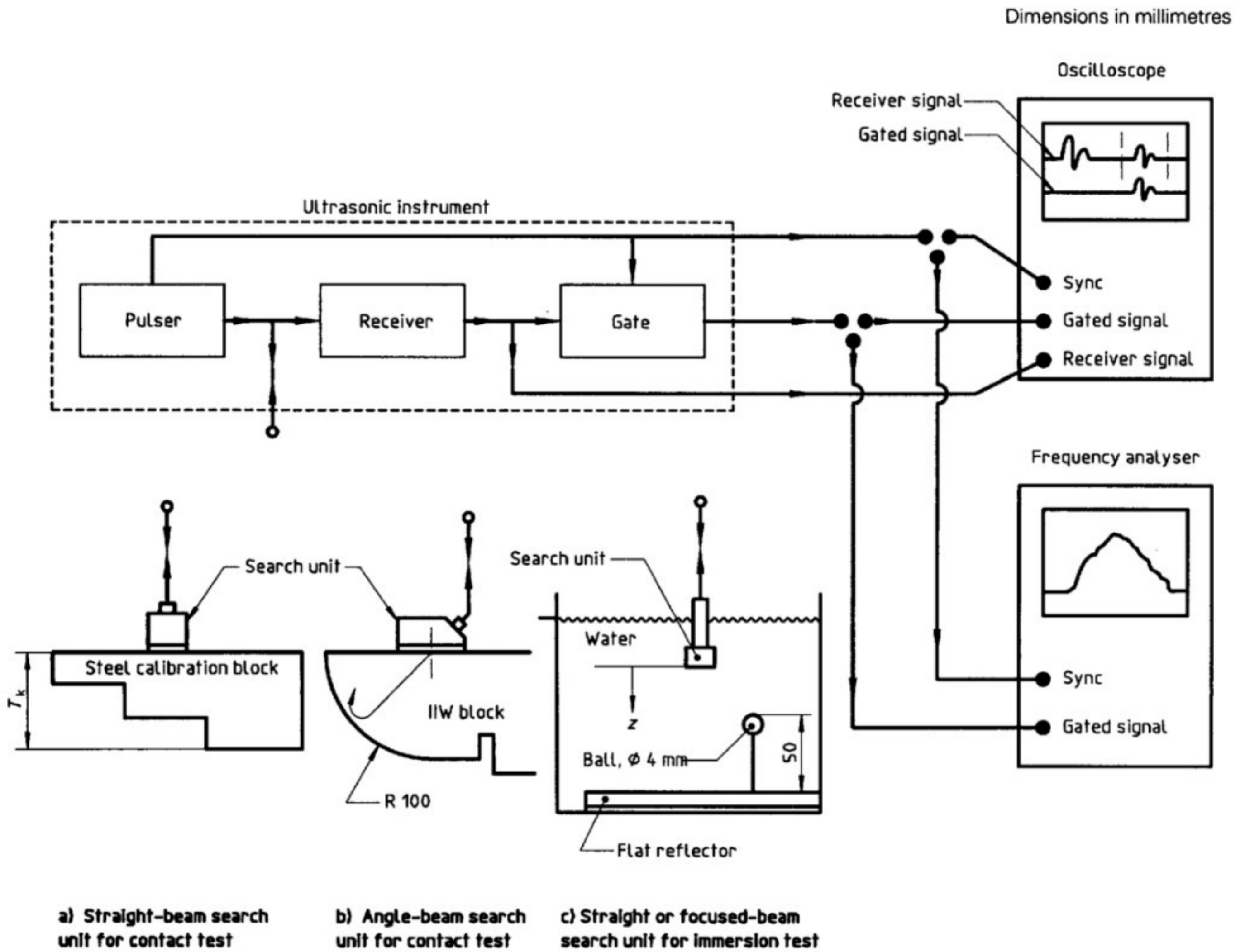


Figure 1 — Arrangement for ultrasonic pulse-echo testing using electric-shock excitation
 ($T_k = 0,75N_0$ to $1,5N_0$; $N_0 =$ near-field length)

The angle beam is produced with a transducer element built at an angle to the probe z -axis, defined as the incident angle α , or using a wedge on a straight-beam search unit, to produce a sound beam refracted at an angle into the test material. The angle beam transmitted into the material can be a refracted longitudinal or a refracted transverse wave.

For angle-beam search units used in contact tests, the International Institute of Welding (IIW) block shall be used as the calibration block, as described in ISO 2400. The angle-beam search unit shall be set to transmit its ultrasonic beam in the direction of the 100 mm radius section. With proper positioning of the search unit to maximize the received echo, the search unit index, i.e. the ultrasonic-beam exit point of the search unit, is marked on the search unit at the centre point of the 100 mm radius section of the IIW block.

After the search unit index has been determined, the search unit refraction angle β , i.e. the angle between the direction of the transmitted beam and the normal to the test surface, can be measured as follows. For a refraction angle between 40° and 75° , by setting the transmitted beam towards the 50 mm diameter through-hole, the angle marked in degrees on the IIW block corresponding to the search unit index is the refraction angle of the search unit. For refraction angles of about 80° , the transmitted beam is set towards the 1,5 mm diameter through-hole. By positioning the search unit so that the maximum echo is obtained, the angle marked in degrees on the IIW block corresponding to the search unit index is the refraction angle of the search unit. The skew (also known as squint) angle γ is the angular deviation of the transmitted-beam direction from its longitudinal direction x .

The echo reflected from the 100 mm radius surface of the IIW block is used for the waveform analysis. For two angle-beam search units placed in a pitch-catch (transmit-receive) mode, the peak amplitude signal reflected from the flat side of the IIW block is used for the waveform analysis.

Figure 4 shows the angle-beam search unit and the IIW block for contact tests. For a wide-angle angle-beam search unit, the reflector shall be at least as wide as the diameter of the transducer element of the search unit.

For waveform analyses, the gated echo from the back surface of the reference block, i.e. from an infinite reflector, is characterized in terms of its time domain response and frequency response.

4.2 Time domain response

The time domain response of an echo signal is recorded for the specific target chosen for the type of test and the type of search unit under evaluation, i.e. an immersion test or contact test, a straight-beam or angle-beam search unit. The duration of the echo signal provides a measure of the damping characteristics of the search unit. The waveform of the pulse is characterized by the peak number P_N , which is defined as the number of half-cycles having amplitudes greater than or equal to 20 % (-14 dB) of the peak half-wave amplitude. The time from the start of the first peak to the end of the last peak is defined as the pulse duration time T_{PD} , which is measured in microseconds. The waveform shown in figure 5 has a peak number of 7. Also, the time domain response may be expressed as a number of cycles C_N , which is half the peak number.

4.3 Frequency response

Using a frequency (or spectrum) analyser, the echo response from a given target can be measured in terms of the signal amplitude as a function of frequency. The target shall be a flat reflector set as close to the near-field distance N_0 , or to the focal length F_L , as possible. The signals can be analysed with a spectrum analyser with filters or by using a full digitization of the signal, followed by a fast Fourier transform. This response is used as the basis for establishing other parameters such as peak frequency, centre frequency and bandwidth. The peak frequency f_p is the frequency at which the peak amplitude occurs in the frequency response. The lower and upper frequencies f_l and f_u , respectively, are defined as the frequencies at which the echo amplitude is 50 % down (-6 dB) from the peak amplitude of the pulse-echo measurement, as shown in figure 6. The centre frequency is defined as

$$f_c = \frac{f_u + f_l}{2} \quad \dots (2)$$

The peak amplitude may or may not occur at the centre frequency. The bandwidth B_W , in percent, of the echo signal is defined as

$$B_W = \frac{f_u - f_l}{f_c} \times 100 \quad \dots (3)$$

In addition to B_W , the absolute value of the bandwidth, $f_u - f_l$, in megahertz, may also be noted.

Dimensions in millimetres

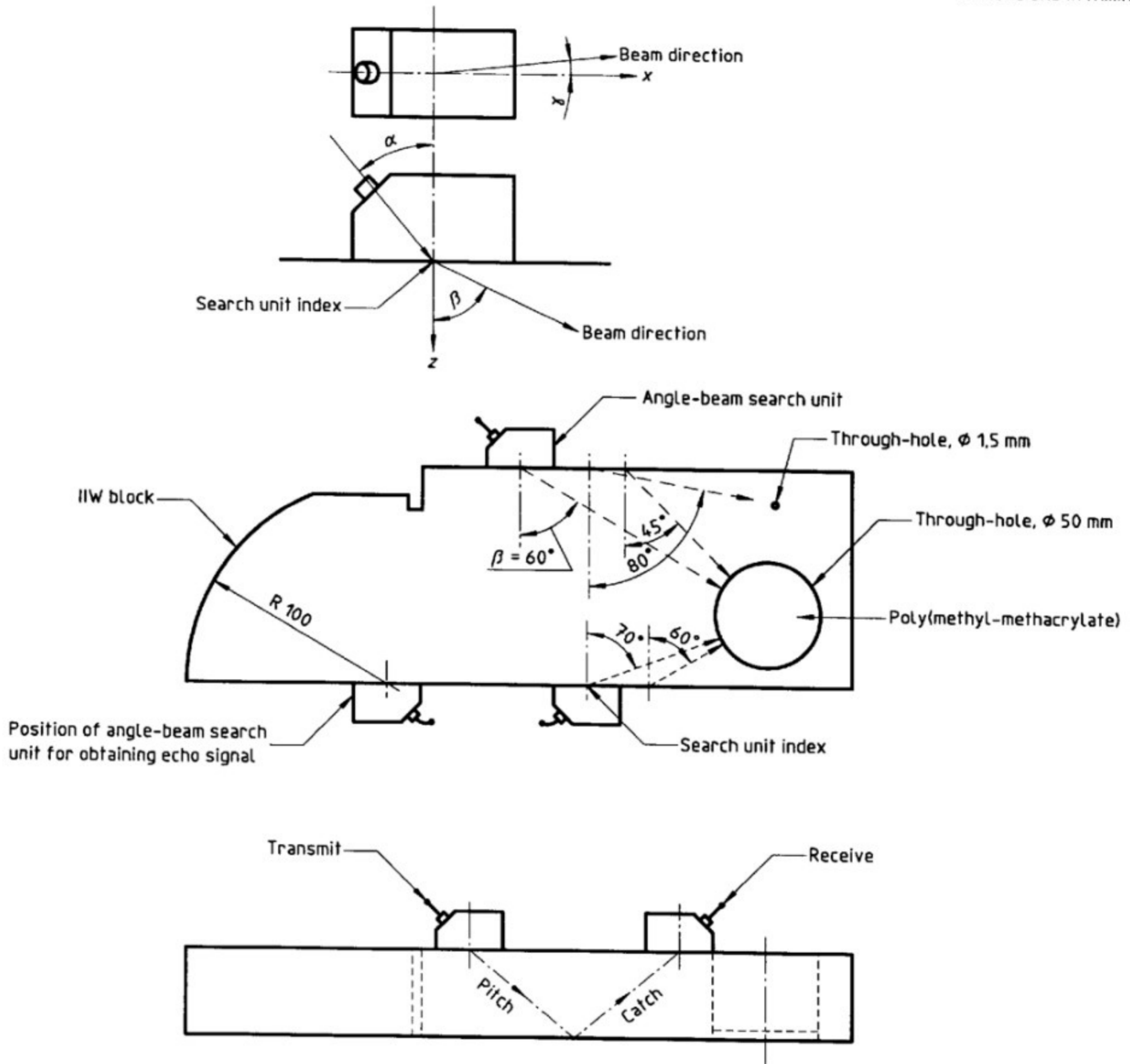


Figure 4 — Arrangements for contact test with angle beam search unit
 (Search unit index is the beam exit point; x = longitudinal direction of search unit,
 z = normal to test surface, β = refraction angle, γ = skew angle)

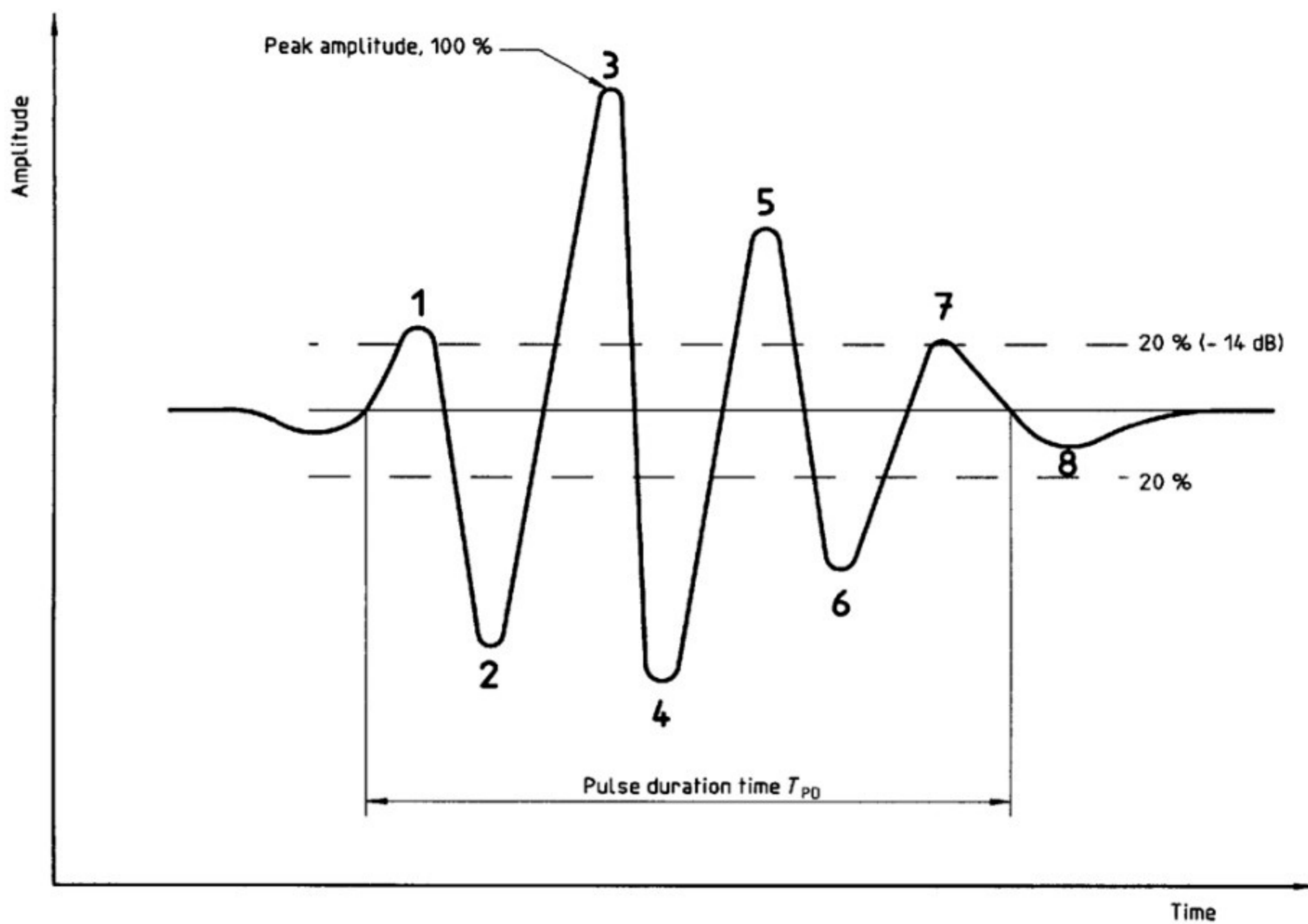


Figure 5 — Time domain response
 (Number of peaks P_N is 7; Number of cycles C_N is 3,5)

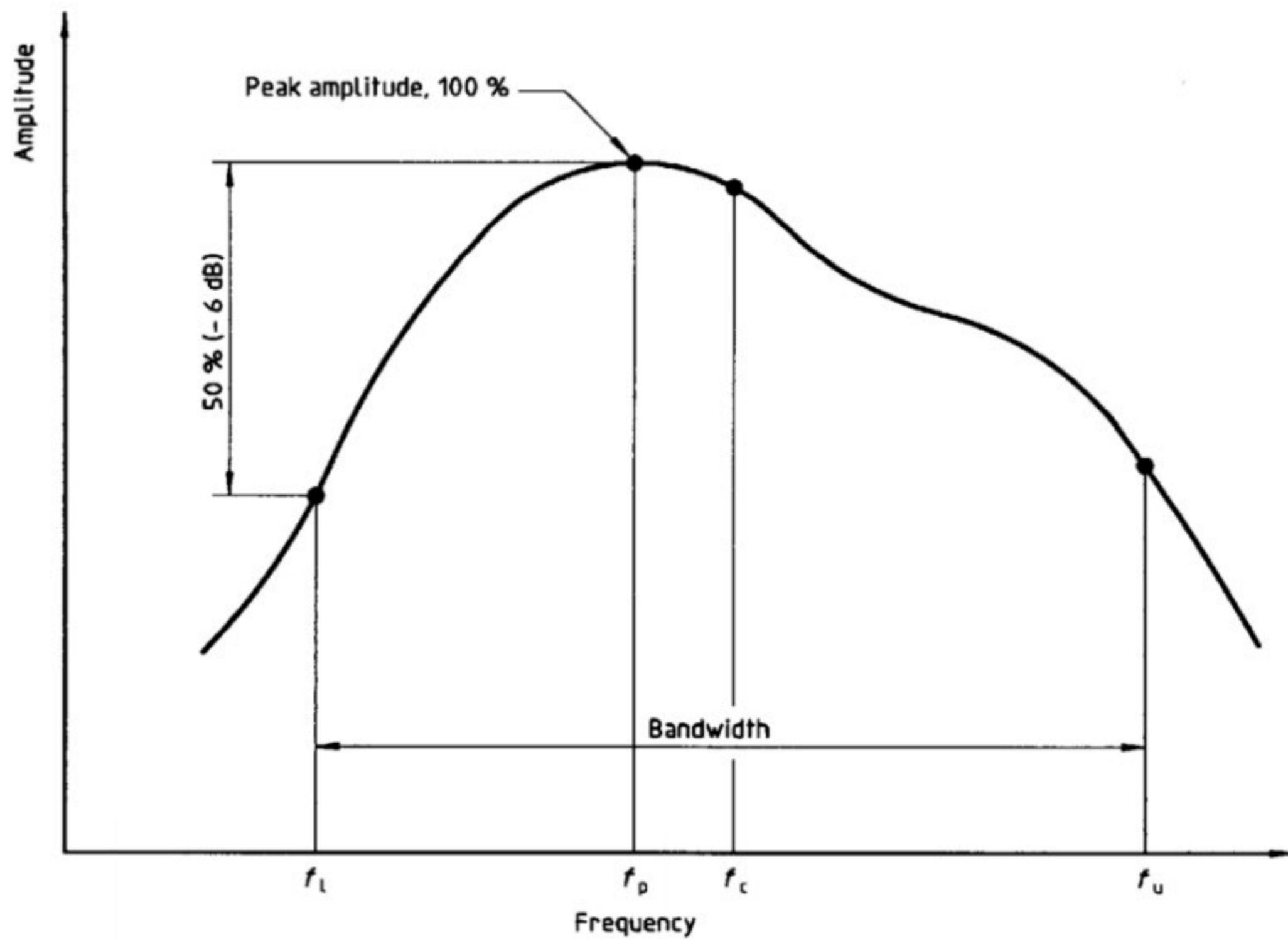


Figure 6 — Frequency spectrum for pulse-echo test

Figure 7 shows a typical result for an angle-beam search unit in a contact test in which the IIW block was used as the target. The echo signal from the surface of the 100 mm radius section of the block is recorded. Figure 8 shows an immersion test result with a focused search unit. The echo signal, reflected in this case from a glass block at its focal length, is recorded.

EXAMPLE 2

From figure 7, the following data are recorded:

The peak frequency $f_p = 3,4$ MHz

The lower f_l and the upper f_u frequencies (−6 dB from the peak amplitude):

$$f_l = 2,6 \text{ MHz}$$

$$f_u = 4,2 \text{ MHz}$$

The centre frequency f_c is then calculated:

$$f_c = \frac{2,6 + 4,2}{2} = 3,4 \text{ MHz}$$

It should be noted that the peak and centre frequencies in this case happened to be equal. In general, they are not equal, as shown by the results given in figure 8.

EXAMPLE 3

Using the above data, the bandwidth, in percent, is determined as follows:

$$B_W = \frac{4,2 - 2,6}{3,4} \times 100 \% = 47 \%$$

The absolute bandwidth is given by:

$$f_u - f_l = 4,2 \text{ MHz} - 2,6 \text{ MHz} = 1,6 \text{ MHz}$$

4.4 Free-field parameters

When sound propagates from a search unit into a semi-infinite domain with no boundaries to cause interference, the sound field is called a "free field". The free field of a circular ultrasonic search unit is characterized by its near field, far field and beam spread. For a given transducer element diameter and frequency, several characteristics of the sound field generated by a search unit in a semi-infinite domain of a homogeneous medium can be calculated. Provided that the search unit is in contact with the test material, the sound field can be normally categorized in two regions. Immediately adjacent to the transducer is the near field (Fresnel region) in which the sound pressure distribution shows complex patterns characterized by maxima and minima as shown on the left-hand side of figure 9. With a flat transducer, beyond the near field is the far field (Fraunhofer region) where the sound pressure decreases with distance as shown on the axial beam profile on the right-hand side of the lower part of figure 9.

The near-field length N_0 is given, with the condition that $D \gg \lambda$, by the following approximation:

$$N_0 \approx \frac{D^2}{4\lambda} \quad \dots (4)$$

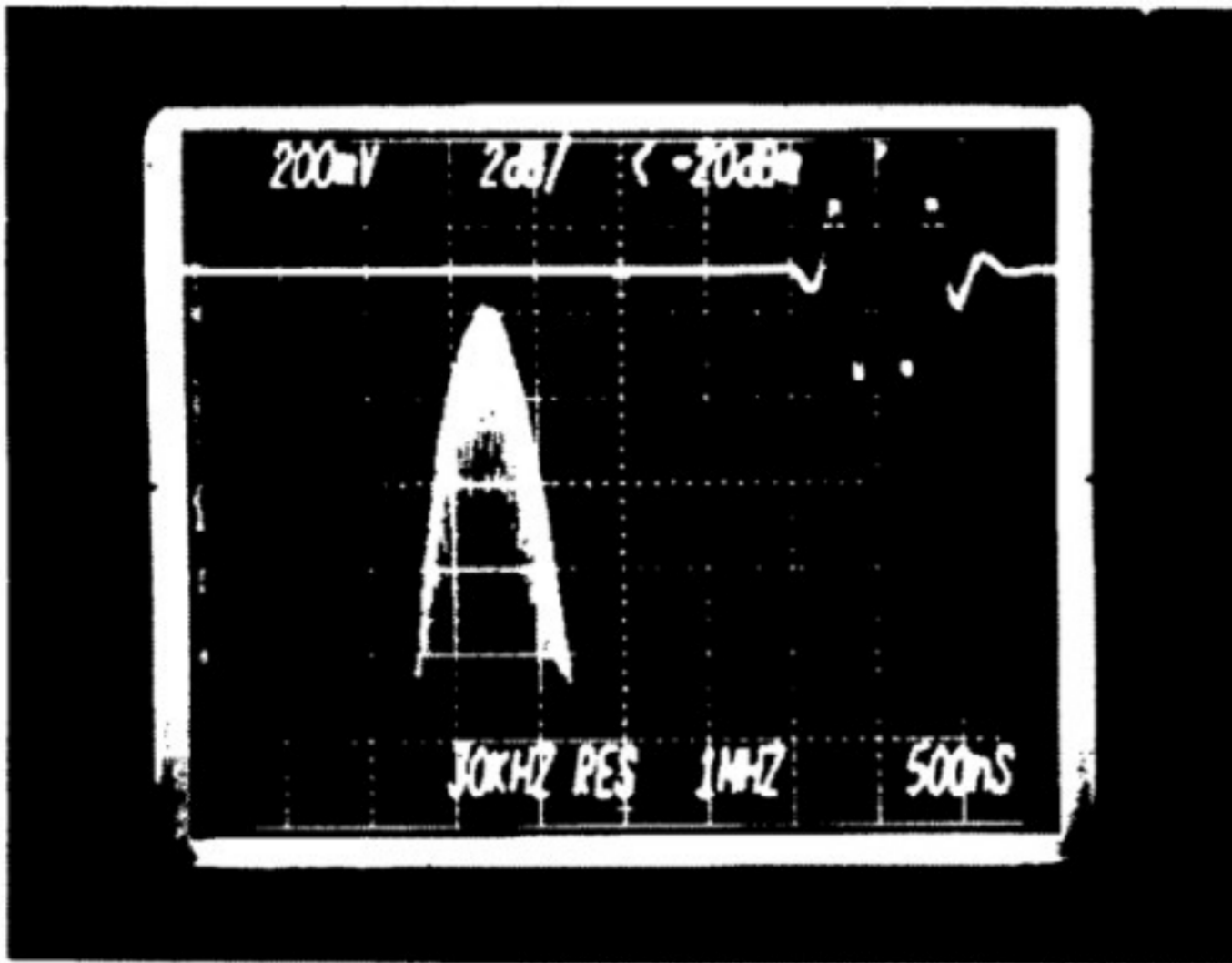
where

N_0 is the near-field length;

D is the effective diameter of the transducer element of the search unit;

λ is the wavelength in the test medium at the search unit centre frequency f_c as calculated from equations (1) and (2).

Ultrasonic search unit documentation



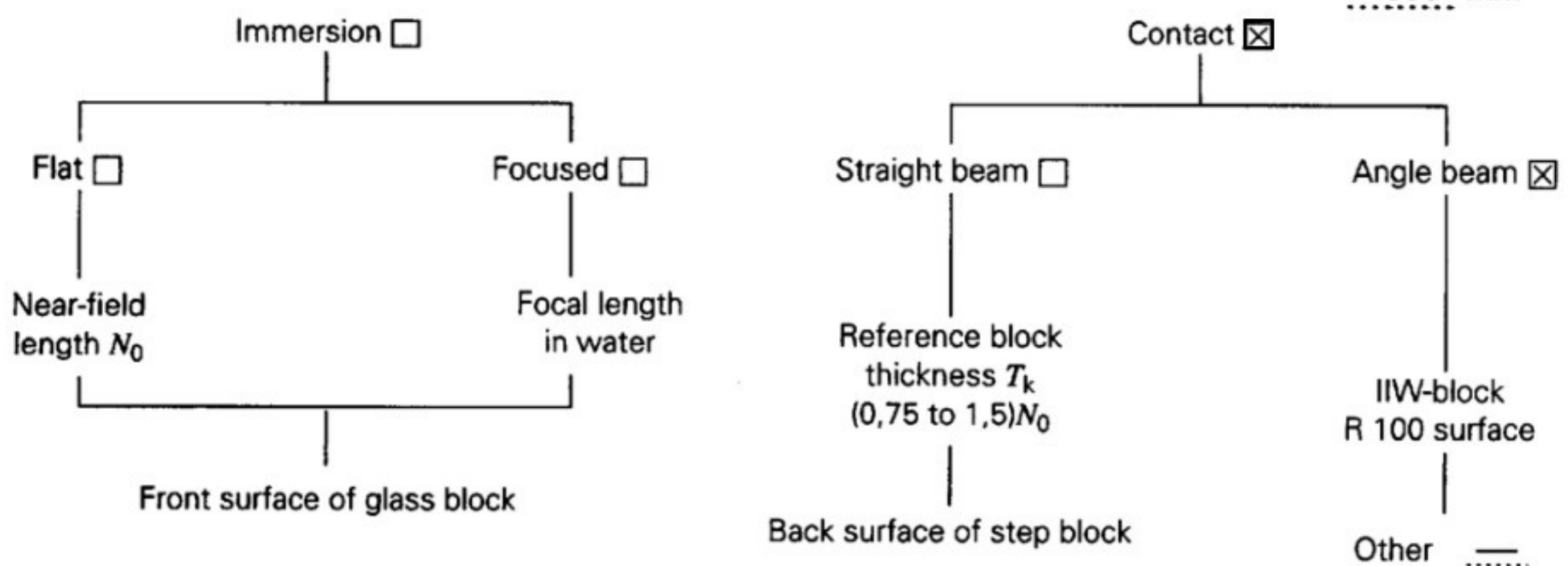
Electric-shock excitation
(spike pulse)
Time domain response,
Frequency response,
Resultant angle,
Impedance

Technician: John Doe

Date: Aug. 7, 1988

Parameters and test methods

MFG frequency: 3,5 MHz Size: 12,7 mm diameter Serial: Cable (RG & LG): RG 174
1 800 mm



Characteristics

Time domain response	Frequency domain response	Resultant angles (steel IIW block)		Impedance and relative sensitivity
		Design	Actual	
No. of cycles C_N : <u>3</u> No. of peaks P_N : <u>6</u>	f_p : <u>3,4</u> MHz f_l at -6 dB: <u>2,6</u> MHz f_u at -6 dB: <u>4,2</u> MHz f_c at -6 dB: <u>3,4</u> MHz B_W : <u>47</u> % Δf : <u>1,6</u> MHz	45° <input checked="" type="checkbox"/>	Refracted	Electric impedance at f_c <u>77</u> Ω <u>41</u> degrees <u>.....</u> dB
		60° <input type="checkbox"/>	<u>46</u> °	
		75° <input type="checkbox"/>	<u>0</u>	

Instrumentation:

Panametrics 5052UA frequency analyser 7L12
 Horizontal sweeps/division: Vertical volts/division:
 Energy setting: 3 Receiver attenuation: 20 dB
 Receiver damping: 50 Ω

Figure 7 — Contact, angle-beam search unit (see example 2)

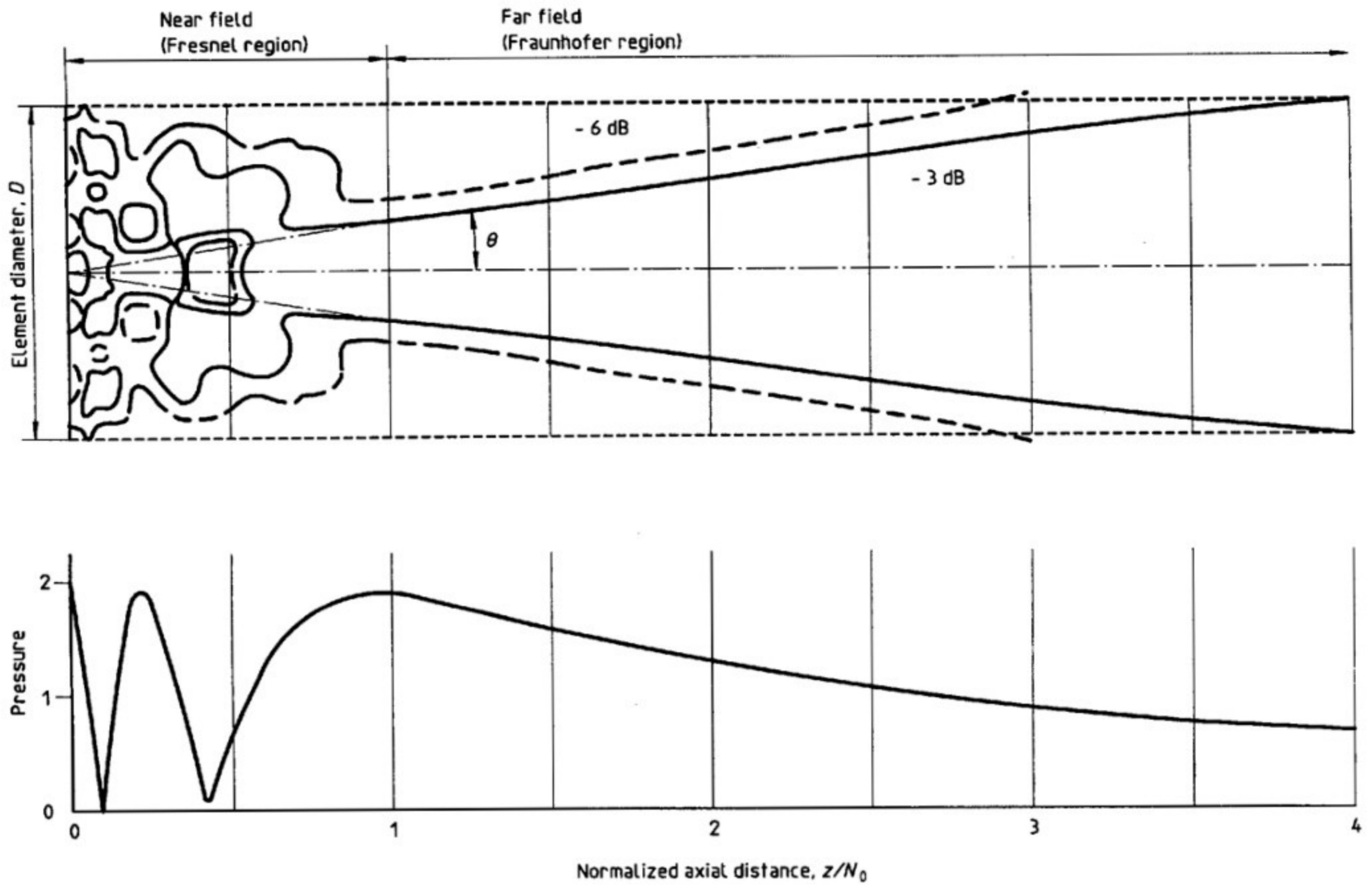


Figure 9 — Free field of flat-element search unit
 [after ZEMANEK J., *J. Acoust. Soc. Am.*, **49**, pp. 181-191 (1971)]

EXAMPLE 4

Consider a circular search unit of 5 MHz with an effective element diameter of 10 mm. The near-field length for the pulse in water is determined as follows:

The wave velocity in water is given by:

$$v = 1,48 \text{ km/s} = 1,48 \times 10^6 \text{ mm/s}$$

$$\therefore \lambda = 0,3 \text{ mm}$$

$$\therefore N_0 \approx \frac{10^2}{4 \times 0,3} = 83,3 \text{ mm}$$

For a square element measuring $l \times l$, the near-field length is given by the following approximation:

$$N_0 \approx 1,35 \times \frac{l^2}{4\lambda} \dots (5)$$

EXAMPLE 5

Consider a square-shaped straight-beam search unit of 5 MHz with an effective element size of 10 mm × 10 mm. The near-field length for the pulse in steel is determined as follows:

Using the data from example 1a):

$$\lambda = 1,18 \text{ mm}$$

$$l = 10 \text{ mm}$$

$$\therefore N_0 \approx 1,35 \times \frac{10^2}{4 \times 1,18} = 28,6 \text{ mm}$$

It should be noted that the near-field length is calculated on the basis of the wavelength λ at the centre frequency f_c of the search unit. This calculation is a good approximation for search units with narrow bandwidths. For search units with broad bandwidths, the near-field length covers a range which can be determined by calculating the near-field lengths corresponding to the lower and upper frequencies f_l and f_u separately.

In the far field, the beam diameter increases in proportion to the distance along the beam axis. This divergence of the sound beam is referred to as beam spread. The half-angle of the beam spread θ at 71 % (-3 dB) of the peak amplitude can be calculated as follows:

For a flat circular element (diameter D) in the free-field condition:

$$\theta = \sin^{-1}\left(0,51 \times \frac{\lambda}{D}\right) \quad \dots (6)$$

EXAMPLE 6

Consider a circular straight-beam search unit with an effective diameter of 10 mm. The total free-field beam spread (-3 dB) in immersion testing is determined as follows:

The longitudinal wavelength for a 5 MHz wave in water is 0,3 mm (see example 4).

The free-field half-angle of beam spread (-3 dB) is given by:

$$\theta = \sin^{-1}\left(0,51 \times \frac{0,3}{10}\right) = 0,88^\circ$$

The total free-field angle of beam spread (-3 dB line) is twice this angle, i.e. 1,8°.

For a square element measuring $l \times l$, the half-angle of beam spread is given by:

$$\theta = \sin^{-1}\left(0,44 \times \frac{\lambda}{l}\right) \quad \dots (7)$$

Unlike a square-element search unit, which shows behaviour similar to that of a circular-element search unit, the sound field pattern for a rectangular-element search unit depends on the ratio of the two sides. Its near field is not clearly characterized by a maximum of sound pressure. In the far field, the amplitude, inversely proportional to the distance (i.e. $\propto 1/z$), applies to all shapes of element.

The half-angles of free-field beam spread at the -3 dB level for a rectangular-element (l_1, l_2) search unit, along the l_1 and l_2 directions, are given by:

$$\left. \begin{aligned} \theta_1 &= \sin^{-1}\left(0,44 \times \frac{\lambda}{l_1}\right) \\ \theta_2 &= \sin^{-1}\left(0,44 \times \frac{\lambda}{l_2}\right) \end{aligned} \right\} \quad \dots (8)$$

respectively.

The sound field hereby described through calculation is characteristic of flat search units. For contact search units used in the through-transmission (transmit-receive) mode, it may be the only practical characterization. For immersion search units, the free-field parameters may be additionally measured with a hydrophone.

4.5 Echo sound measurement

The sound field is often measured with a pulse-echo technique. For a pulse-echo measurement, the values of f_i and f_u are measured at 50 % (–6 dB) of the peak amplitude. It should be noted that the half-angle of beam spread θ for the free field measured at 71 % (–3 dB) of the peak amplitude is equal to that for the echo field measurement at 50 % (–6 dB) of the echo peak amplitude, i.e.

$$\theta \text{ (free field, 71 \% or } -3 \text{ dB)} = \theta \text{ (echo, 50 \% or } -6 \text{ dB)} \quad \dots (9)$$

Hence, the half-angle beam spread, calculated from equations (6), (7) and (8) for the free field, applies to the pulse-echo measurement.

EXAMPLE 7

Consider a rectangular straight-beam search unit of 5 MHz with effective element dimensions of 5 mm × 10 mm. The beam spread in steel for a pulse-echo test is determined as shown below.

The half-angle of beam spread in pulse-echo (–6 dB) along the l_1 side is calculated as follows:

$$l_1 = 5 \text{ mm}$$

$$\lambda = 1,18 \text{ mm from example 1a)}$$

$$\therefore \theta_1 = \sin^{-1} \left(0,44 \times \frac{1,18}{5} \right) = 6^\circ$$

The total angle of beam spread in pulse-echo (–6 dB) along the l_1 side is therefore 12°.

The half-angle along the l_2 side is calculated as follows:

$$l_2 = 10 \text{ mm}$$

$$\lambda = 1,18 \text{ mm}$$

$$\therefore \theta_2 = \sin^{-1} \left(0,44 \times \frac{1,18}{10} \right) = 3^\circ$$

The total angle of beam spread in pulse-echo (–6 dB) along the l_2 side is therefore 6°.

A significant parameter in echo sound measurement is the axial beam profile. In an immersion test, the transverse profile is first obtained by moving the search unit over a small steel ball target immersed in water while the search unit is being pulsed as shown in figures 1 and 2. The peak amplitude of the signal reflected from the ball target is recorded at each location. The resulting profile yields a relative pressure plot transverse to the sound beam axis for a given distance from the search unit. The peak amplitudes for various axial distances are then plotted along the beam axis, yielding the axial beam profile as shown in figure 10.

To characterize the axial and transverse beam profiles of a focused search unit, the focal length, the depth of field and the sound beam diameter at the focal point are measured. The focal point is defined as the location at which the maximum amplitude occurs. The distance from the face of the search unit to the focal point is defined as the focal length F_L (also known as the focal distance). The depth of field F_D (also known as the length of focal area) is obtained by moving the search unit towards and away from the small steel ball target until the amplitude is 50 % (–6 dB) of the peak amplitude. The diameter at the focal point, where the transverse amplitude is 50 % (–6 dB) of the peak amplitude, is defined as the beam diameter d_{FL} . Figure 11 shows an example of an axial and transverse profile of a conical-lens focused-beam immersion search unit.

This International Standard does not address sound field measurement for contact tests. To characterize the sound field of a search unit, such as a straight-beam, angle-beam or focused-angle-beam search unit in contact tests, a special reference block with a set of side-drilled holes at different depths and another reference block applicable to

the test and evaluation of all angles are needed in order to measure the beam spread, the beam width, the focal length, the depth of field and other pertinent parameters. A document describing such reference blocks is ISO 12715, *Non-destructive testing — Ultrasonic testing — Reference blocks and test procedures for the characterization of contact search unit sound fields* (to be published).

4.6 Impedance

The electrical characteristics of a search unit are expressed in terms of the input impedance as measured by a vector impedance meter with associated cabling. The length of the cable between the search unit and the vector impedance meter should be as short as practical. The complex impedance of the search unit can be measured in terms of its amplitude in ohms and its phase angle in degrees by tuning the meter to the centre frequency of the search unit when the unit is in its effective working condition (i.e. with its front surface in contact with water for immersion tests and in contact with a reference block for contact tests). Special precautions must be taken to avoid standing-wave interference in the tests.

4.7 Relative sensitivity

The relative sensitivity S_r of a search unit is a measure of the electroacoustic efficiency of the unit when operating in the pulse-echo mode with a specific medium, sound path and reflector. The relative sensitivity is defined as the ratio between the peak-to-peak amplitude of the output voltage signal V_{out} to the peak-to-peak amplitude of the input, or excitation, signal V_{in} applied to the search unit:

$$S_r = 20 \log_{10} \left(\frac{V_{out}}{V_{in}} \right) \text{ dB} \quad \dots (10)$$

For this determination, the excitation signal shall be a gated sinusoidal pulse at the centre frequency of the search unit. The pulse shall have sufficient duration to allow the unit to reach a steady-state condition. This state is reliably attained when the echo signal has had at least five cycles of uniform oscillations. A typical measurement of the relative sensitivity in an immersion search unit is shown in figure 12.

EXAMPLE 8

Consider the excitation and the echo signals given in figure 12. The relative sensitivity is determined as follows:

$$V_{out} = 5 \text{ divisions} \times 100 \text{ mV/division} = 500 \text{ mV} = 5 \times 10^{-1} \text{ V}$$

$$V_{in} = 5 \text{ divisions} \times 2 \text{ V/division} = 10 \text{ V}$$

$$\therefore S_r = 20 \log_{10} \left(\frac{5 \times 10^{-1}}{10} \right) = 20 \times (-1,3) = -26 \text{ dB}$$

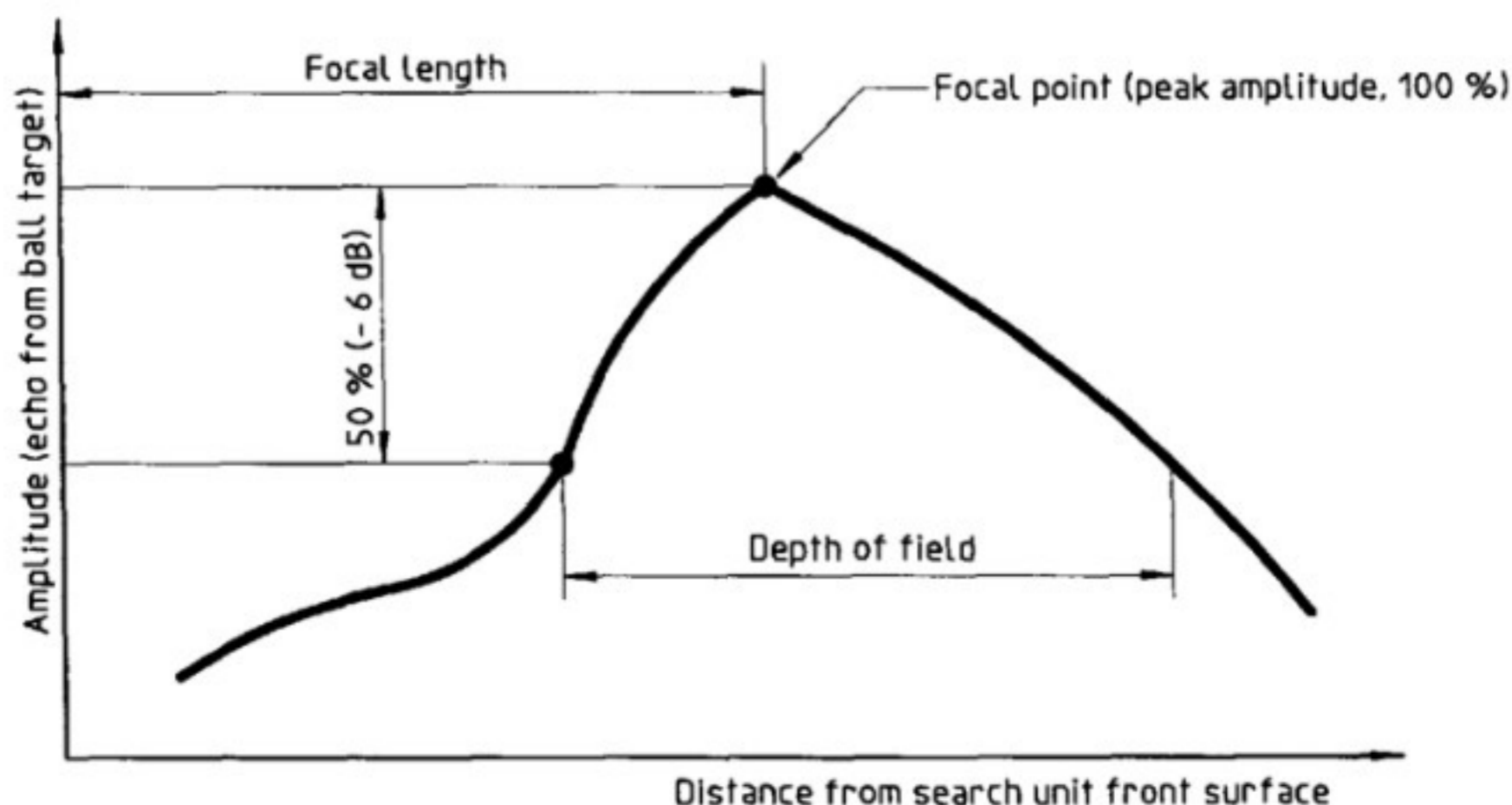


Figure 10 — Axial beam profile of a focused-beam immersion search unit

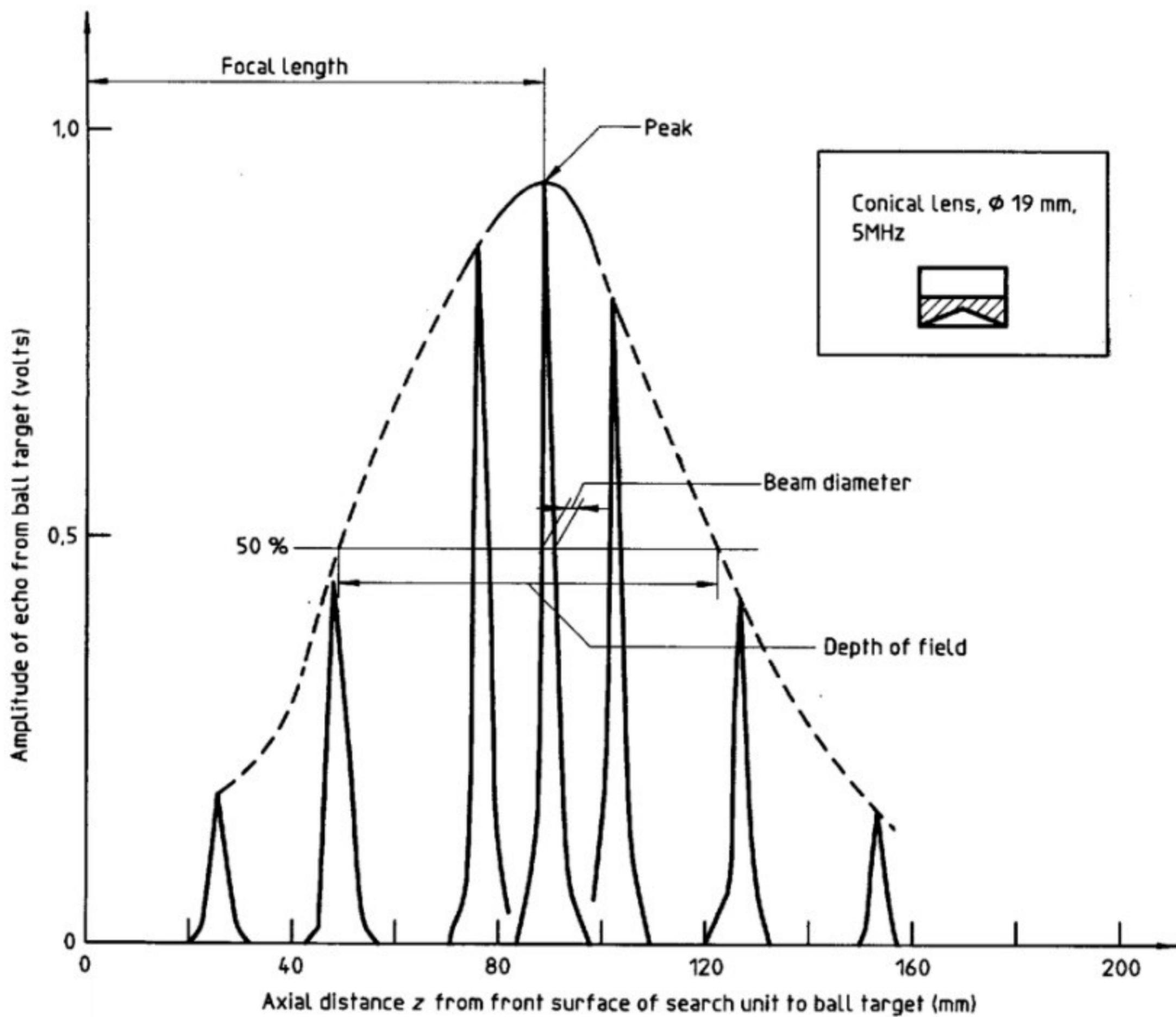
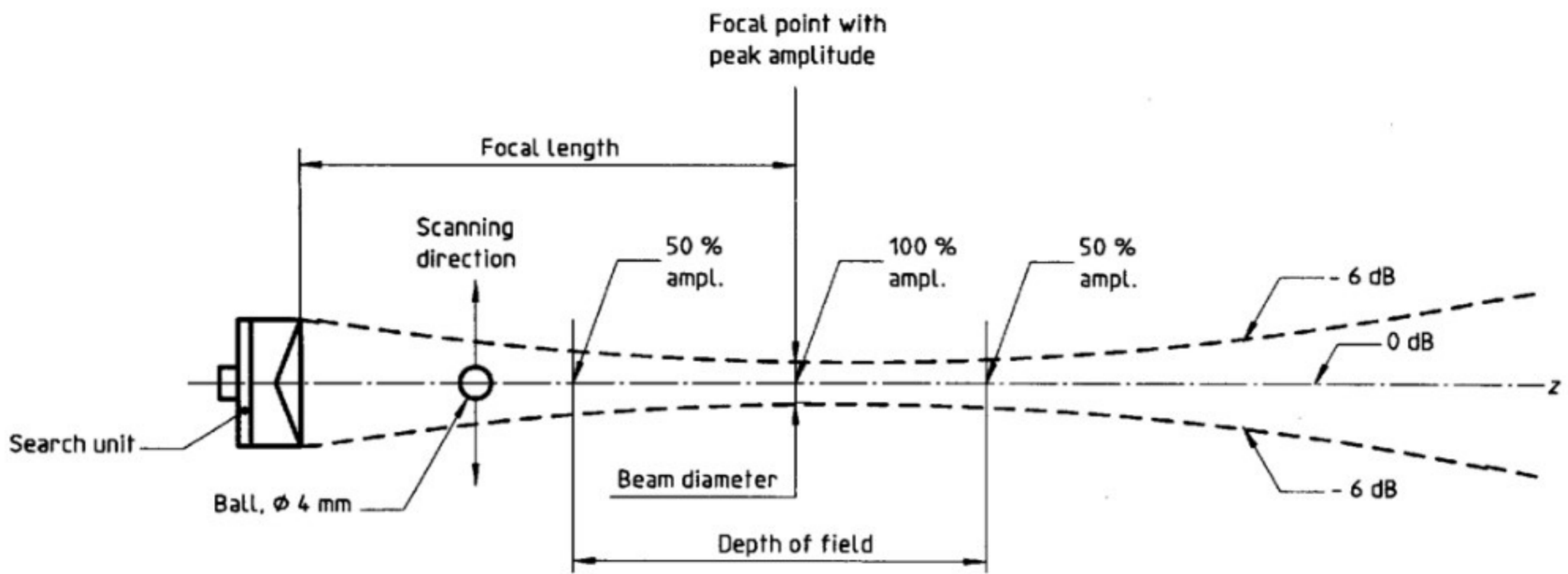


Figure 11 — Axial and transverse beam profile and beam diameter of a focused-beam immersion search unit

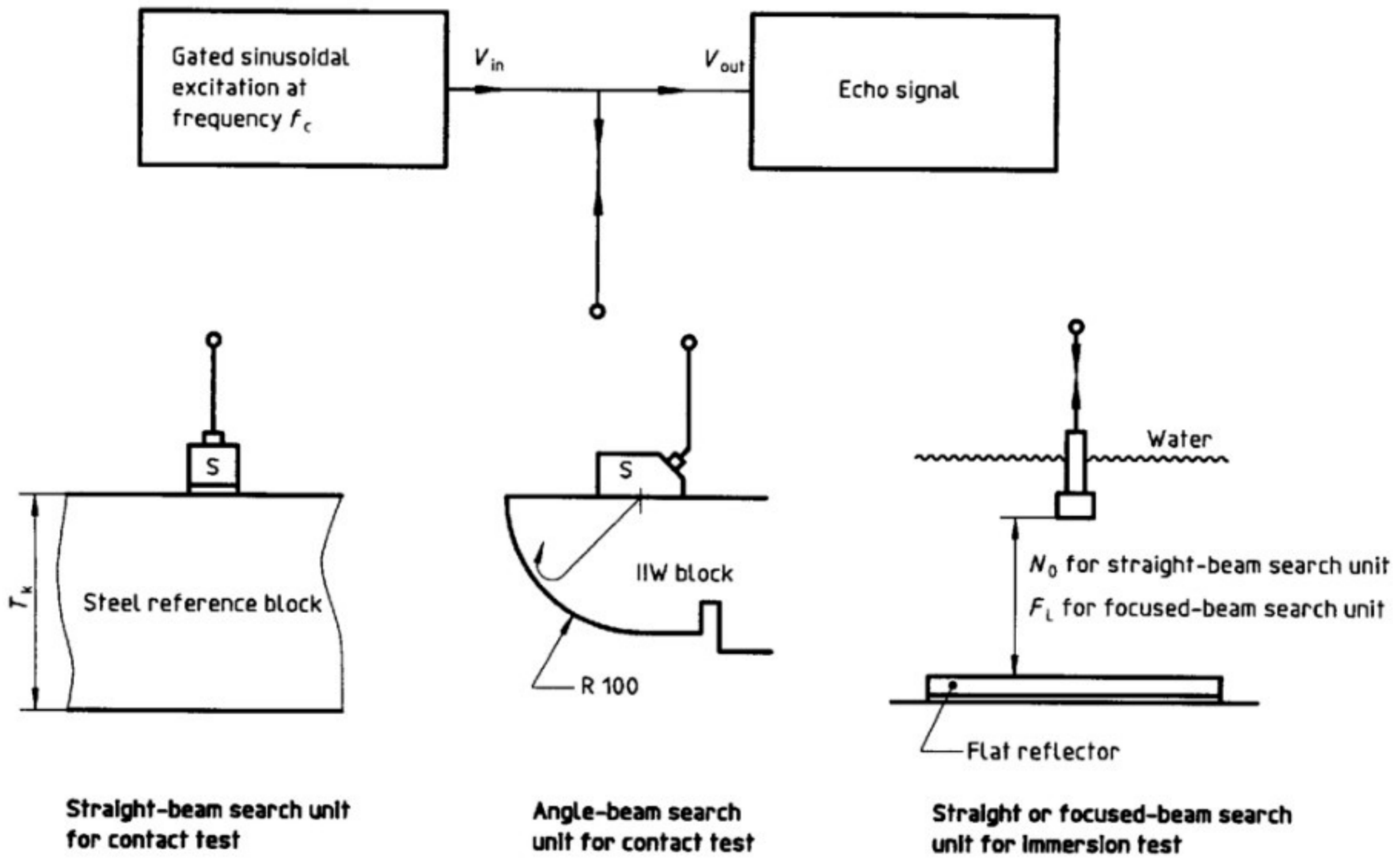
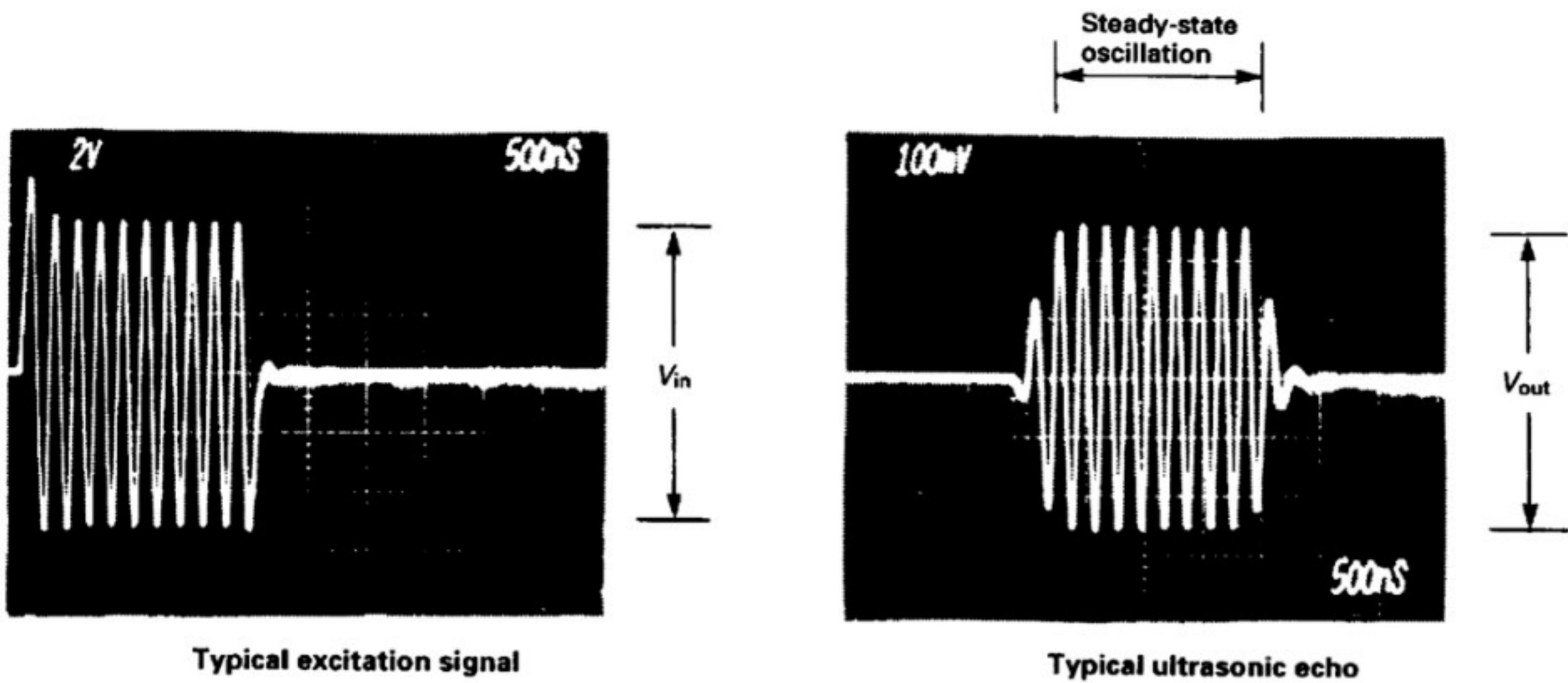


Figure 12 — Measurement of relative sensitivity of a search unit (see example 8)
 (N_0 = near-field length, F_L = focal length, S = search unit, $T_k = 0,75N_0$ to $1,5N_0$, all coaxial cable at 50Ω)

ICS 19.100

Descriptors: tests, non-destructive tests, ultrasonic tests, testing conditions, test equipment, characteristics.

Price based on 17 pages
